

Automatic sliding door system

ASSA ABLOY Frame

ASSA ABLOY

ASSA ABLOY Entrance Systems

The global leader in door opening solutions



The ASSA ABLOY Frame series includes:

- ASSA ABLOY Frame
- ASSA ABLOY Frame Eco
- ASSA ABLOY Frame Telescopic
- ASSA ABLOY Frame Eco Telescopic
- ASSA ABLOY Frame Break-Out
- ASSA ABLOY Frame Reverse Break-Out

ASSA ABLOY Frame & ASSA ABLOY Frame Eco

Its rugged design makes it particularly suitable for high-traffic entrances. The system consists of doors, operator, safety units and, if required, side screens and overlights. Available for beam- or wall mounting and supplied as bi-parting and single-sliding, all models can be tailored to individual customer requirements.

ASSA ABLOY Frame Telescopic & ASSA ABLOY Frame Eco Telescopic

Telescopic maximizes the opening width of narrow passages, providing an impressive solution when space is limited.

ASSA ABLOY Frame Break-Out & ASSA ABLOY Frame Reverse Break-Out

Break-out enables the doors and side screens to swing outward in an emergency, allowing exit through the entire door and side-screen space.

Accessories and Options

Profile type:

- Frame
- Frame Eco (thermally broken profile)

Profile finish:

- anodized aluminium, colour on request
- painted in colour according to RAL card

Glass type:

- 6, 8 or 10 mm laminated (Frame only)
- 6, 8 or 10 mm tempered (Frame only)
- 22 or 40 mm insulated glass

Glass finish: clear, green, bronze, opaque

Overlight (beam mounted only)

Side screens

Mechanical lock

Reverse break-out performs the same way with the doors swinging inward. Especially suitable for indoor applications.

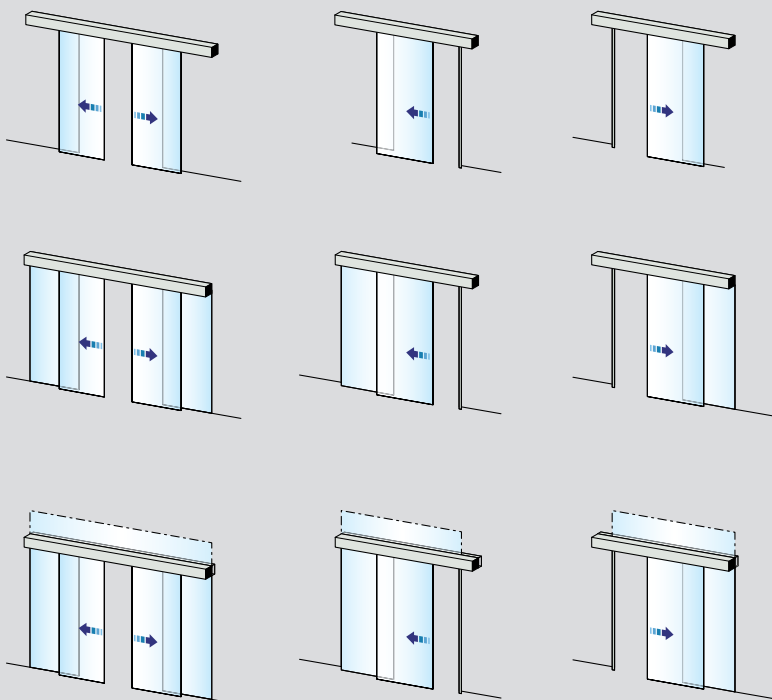
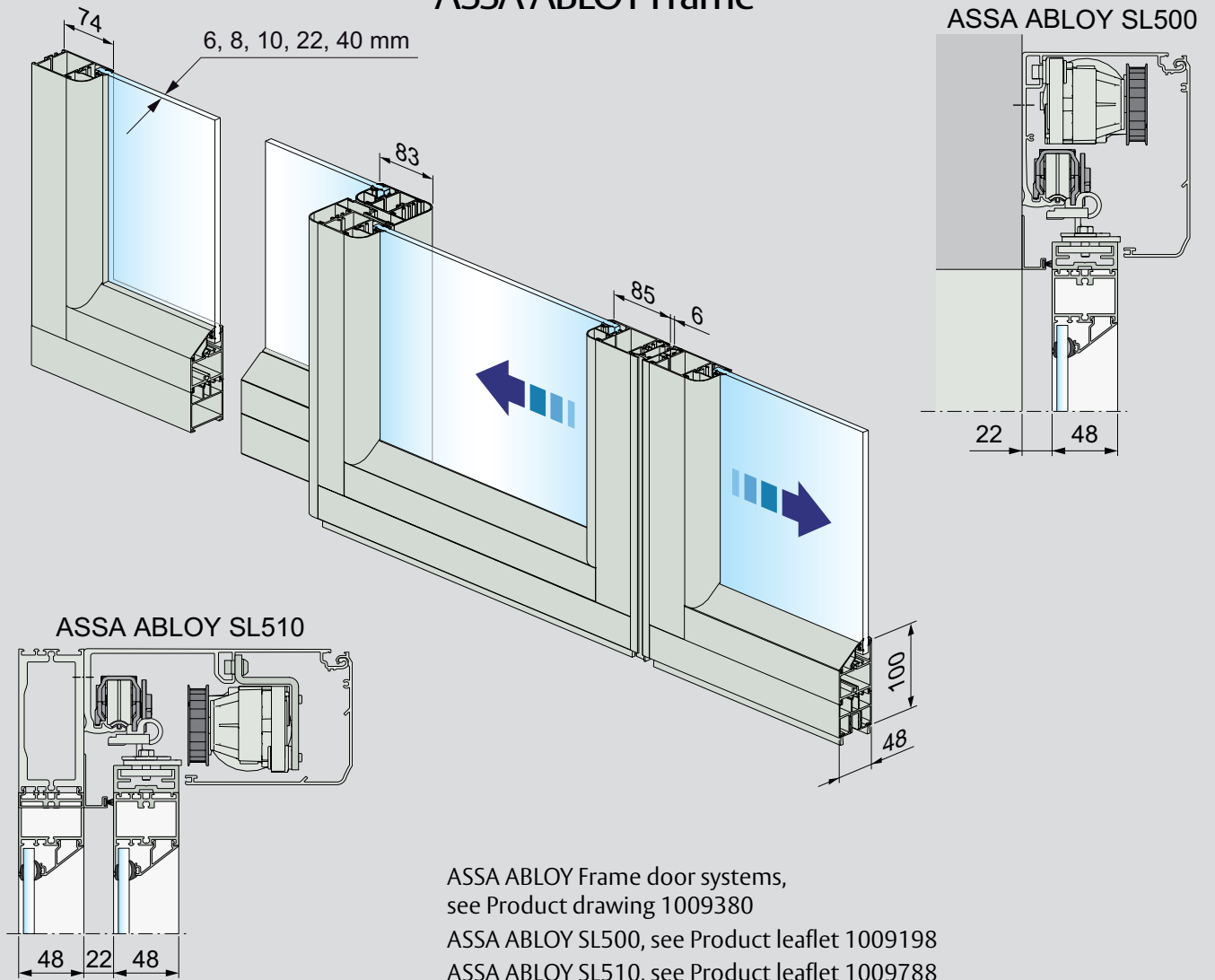
Safety features

An integrated activation and presence detection system enhances safety for users by detecting people or objects in the doorway, preventing the door from closing until it is safe to do so.

Sustainability

ASSA ABLOY's automatic door systems can reduce the amount of energy needed to heat or cool a building, resulting in lower costs and a smaller carbon footprint for customers. The ASSA ABLOY Frame series can be fitted with optional 22 and 40 mm thermo glass, thermally broken profiles, extra tight-fitting brushes and additional sensors for fine-tuning opening and closing times, further enhancing its energy-saving capabilities. Regular maintenance helps insure top performance and extends the life of the equipment, reducing its impact on the environment.

ASSA ABLOY Frame

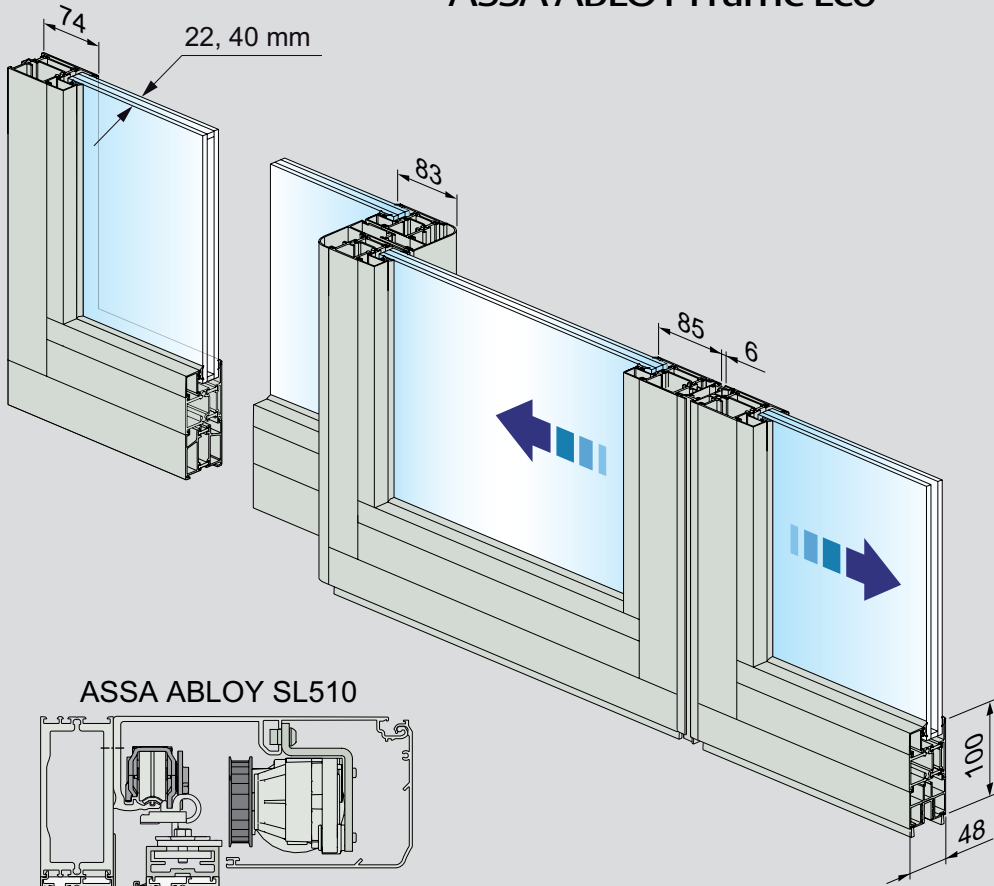


Wall mounted, only doors

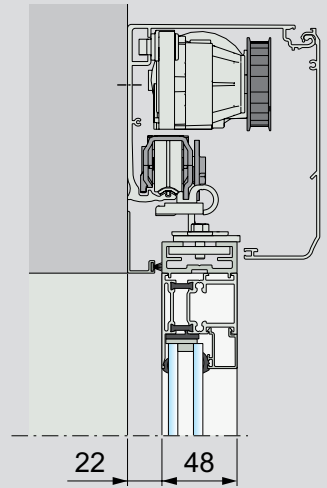
Wall mounted, doors and side screens

Beam mounted, doors and side screens
(option overhead)

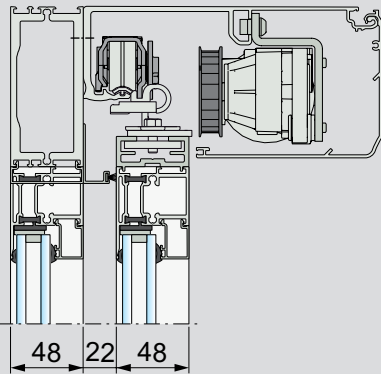
ASSA ABLOY Frame Eco



ASSA ABLOY SL500



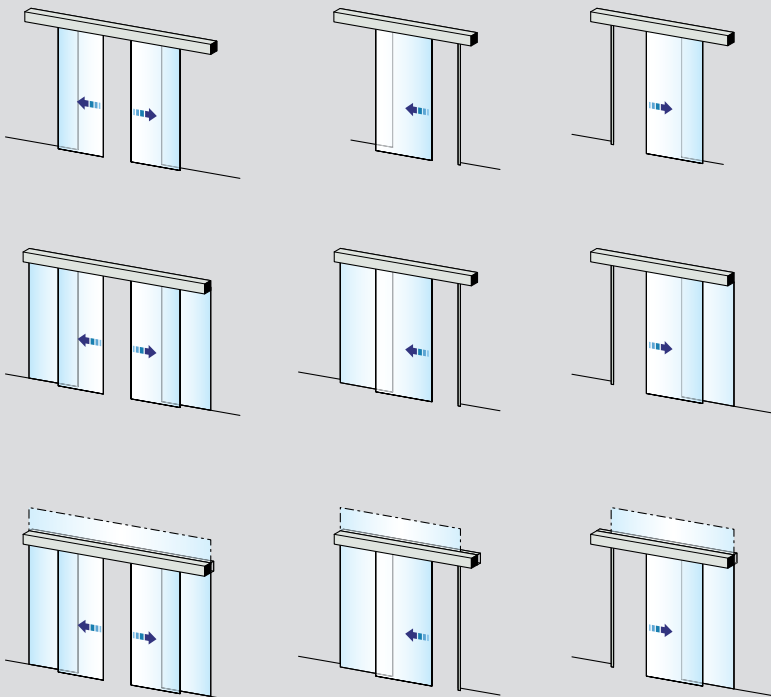
ASSA ABLOY SL510



ASSA ABLOY Frame Eco door systems,
see Product drawing 1009380

ASSA ABLOY SL500, see Product leaflet 1009198

ASSA ABLOY SL510, see Product leaflet 1009788



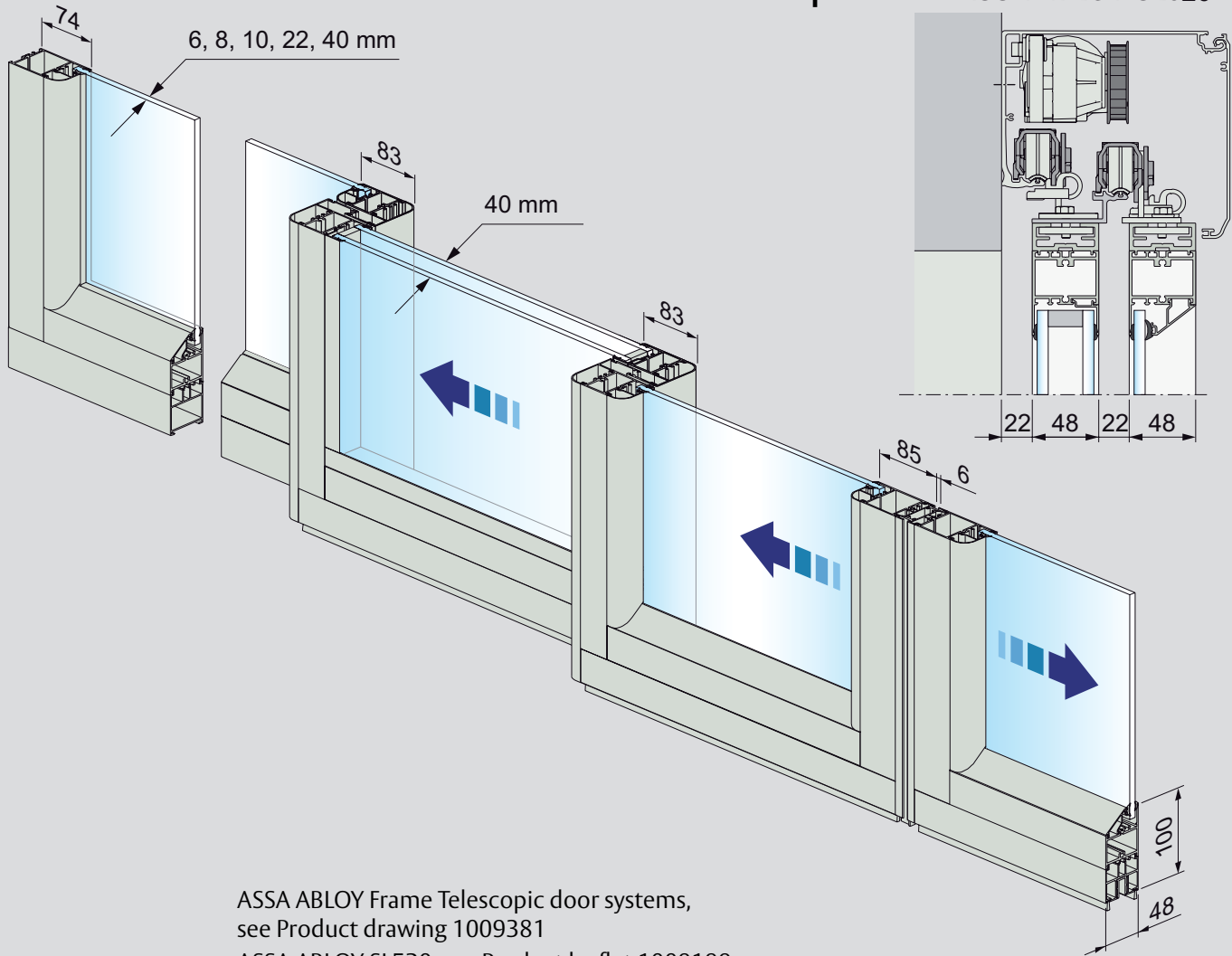
Wall mounted, only doors

Wall mounted, doors and side screens

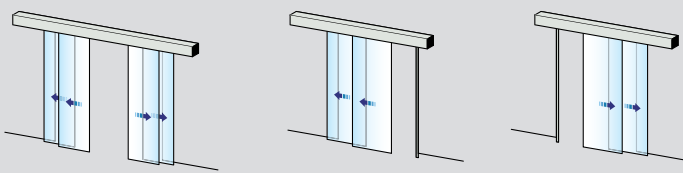
Beam mounted, doors and side screens
(option overhead)

ASSA ABLOY Frame Telescopic

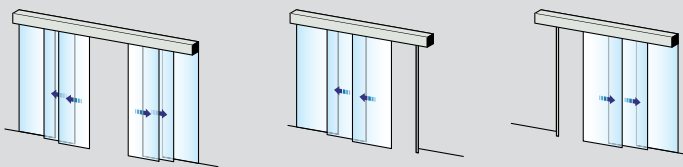
ASSA ABLOY SL520



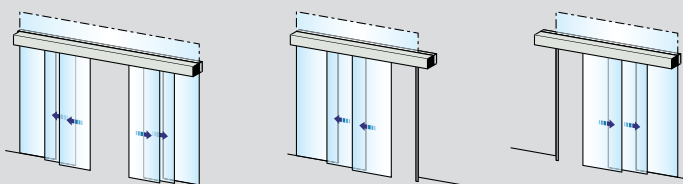
ASSA ABLOY Frame Telescopic door systems,
see Product drawing 1009381
ASSA ABLOY SL520, see Product leaflet 1009199



Wall mounted, only doors



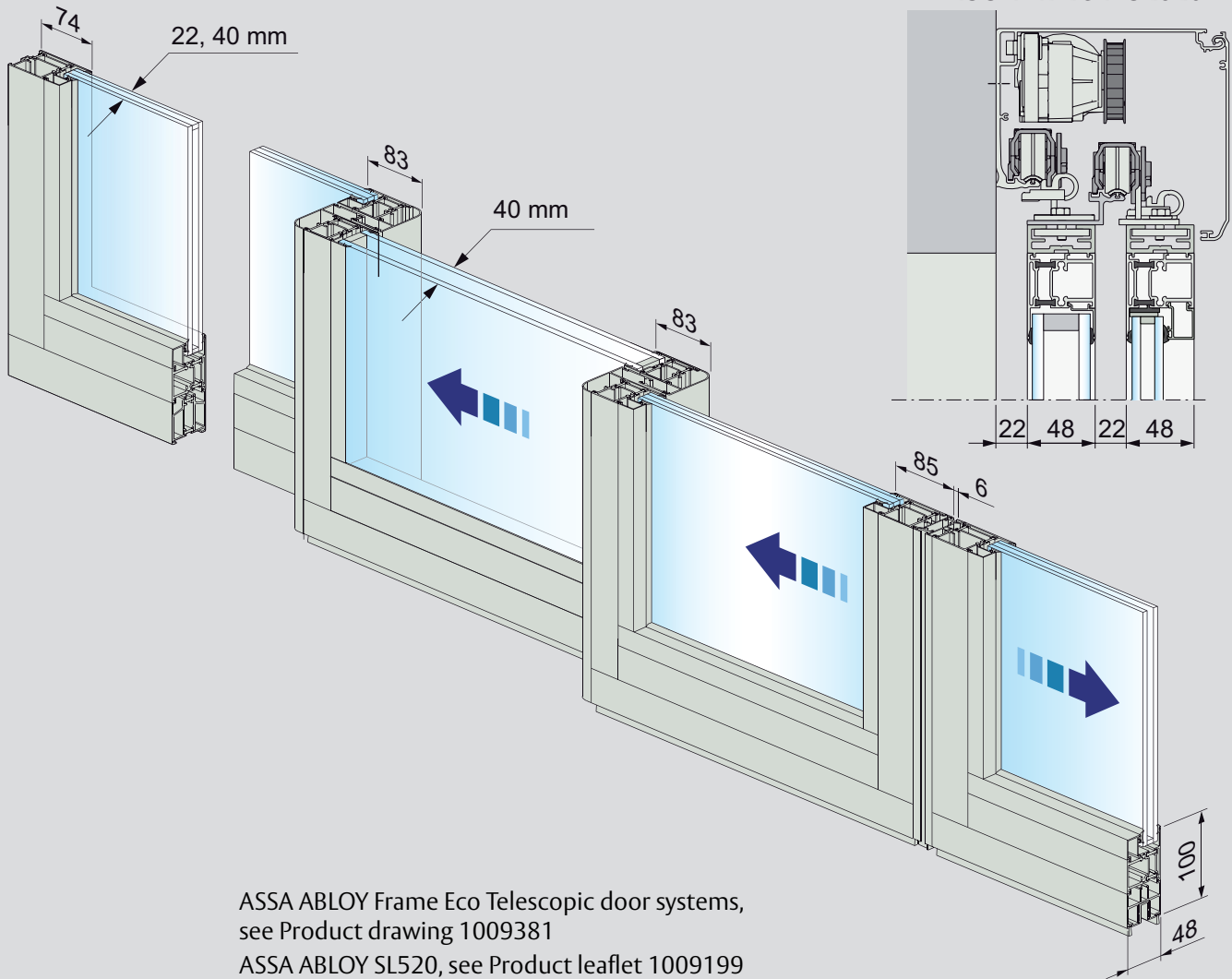
Wall mounted, doors and side screens



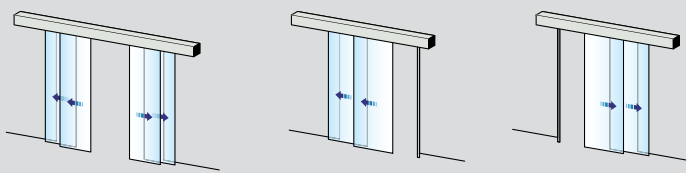
Beam mounted, doors and side screens
(option overhead)

ASSA ABLOY Frame Eco Telescopic

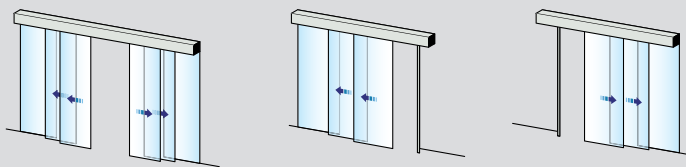
ASSA ABLOY SL520



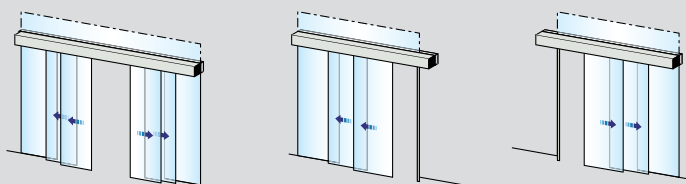
ASSA ABLOY Frame Eco Telescopic door systems,
see Product drawing 1009381
ASSA ABLOY SL520, see Product leaflet 1009199



Wall mounted, only doors



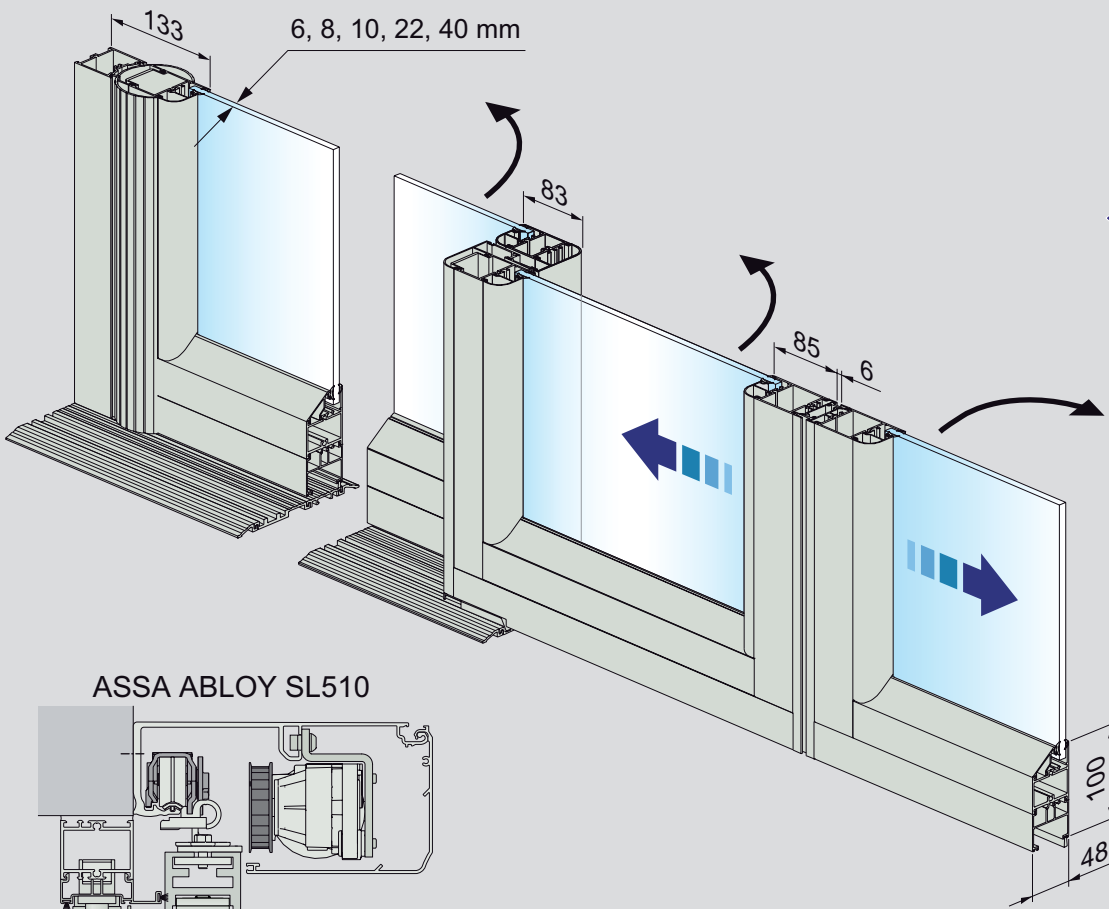
Wall mounted, doors and side screens



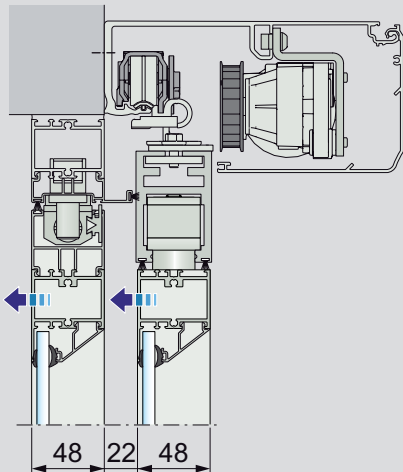
Beam mounted, doors and side screens
(option overhead)

ASSA ABLOY Frame Break-Out

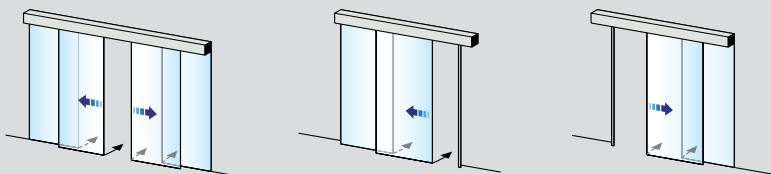
ASSA ABLOY SL500



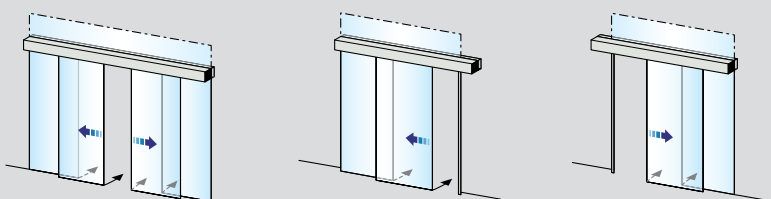
ASSA ABLOY SL510



ASSA ABLOY Frame Break-Out door systems,
see Product drawing 1009382
ASSA ABLOY SL500, see Product leaflet 1009198
ASSA ABLOY SL510, see Product leaflet 1009788



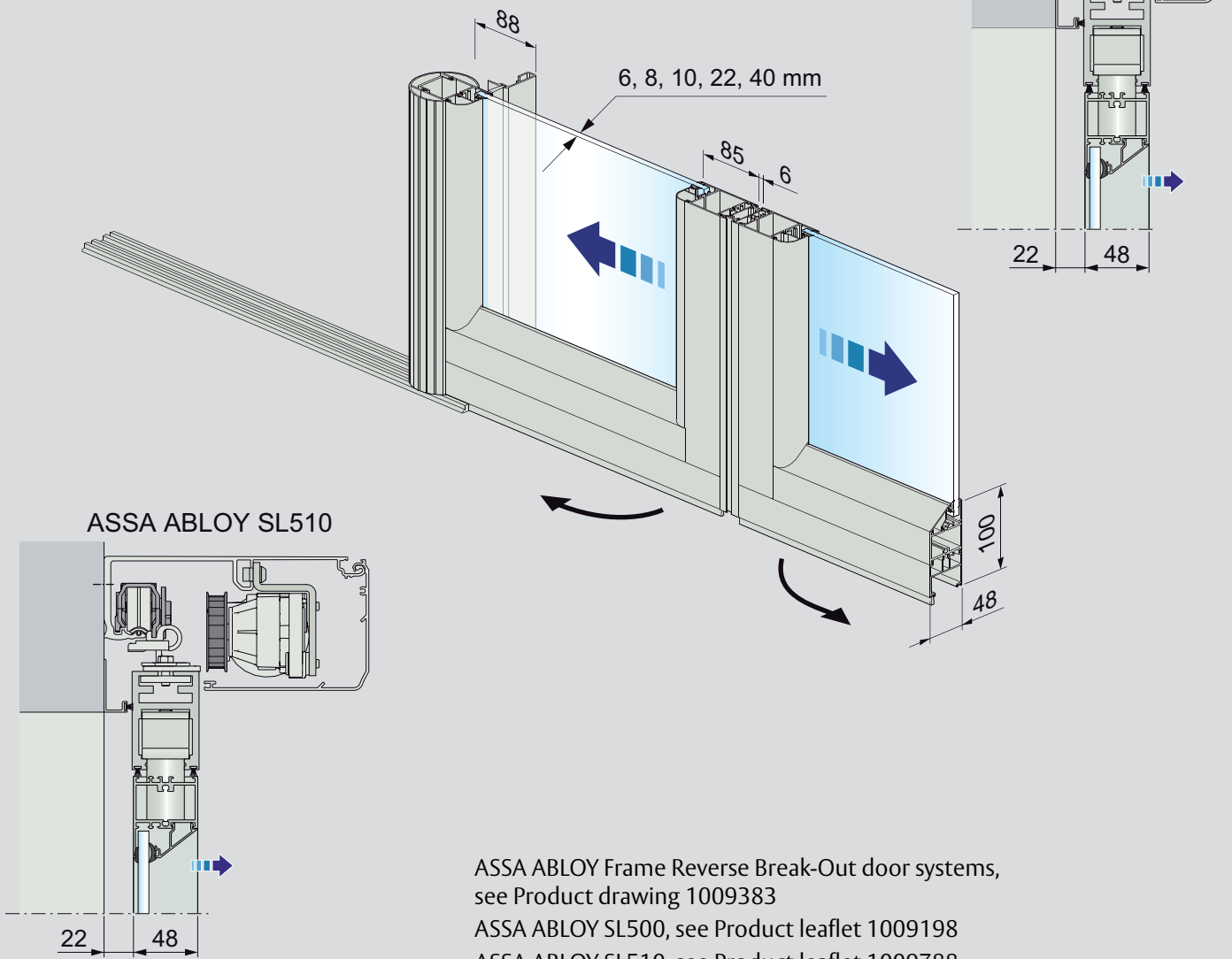
Wall mounted, doors and side screens



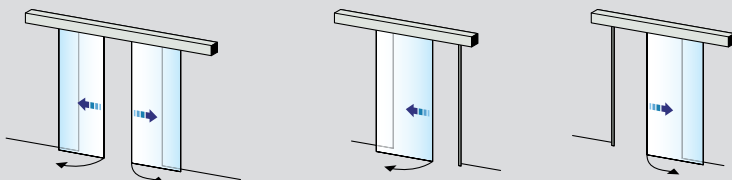
Not SL510
Beam mounted, doors and side screens
(option overhead)

ASSA ABLOY Frame Reverse Break-Out

ASSA ABLOY SL500



ASSA ABLOY Frame Reverse Break-Out door systems,
 see Product drawing 1009383
 ASSA ABLOY SL500, see Product leaflet 1009198
 ASSA ABLOY SL510, see Product leaflet 1009788



Wall mounted, only doors



This equipment should be installed, regularly inspected, maintained and serviced by trained and authorized personnel. Preventive maintenance plans are highly recommended for a proper and safe operation. Talk to your ASSA ABLOY Entrance Systems representative to learn more about our service offering!